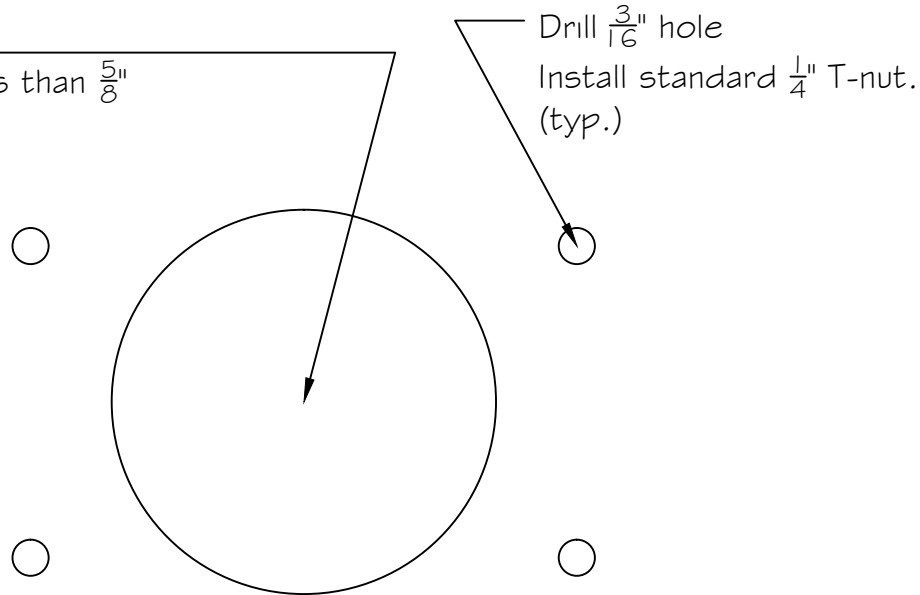


This mounting method gives a ground clearance of approximately  $\frac{3}{4}$ ".

2" Forstner Bit

Finish depth of hole should be no less than  $\frac{5}{8}$ "



NOTE: Material is presumed  $\frac{3}{4}$ " thick. The depth of the hole drilled by the Forstner bit will remove all structural integrity in the remaining layers of material above the hole. It is presumed and recommended that there will be a surfacing layer (i.e. Masonite or MDF) to cover and distribute any weight in that area.

This technical drawing and accompanying information is provided for reference only. While Rose Brand believes the information to be accurate, it is not guaranteed. Please contact Rose Brand with questions or concerns.

**ROSE BRAND**  
PO BOX 1536 SECAUCUS, NJ 07096  
800-223-1624  
rosebrand.com

CLIENT: Pallet Master

PROJECT: Mounting Template

SCALE: 1'-0" = 1'-0"

DRAWN BY: EPR

DATE: Aug. 10, 2010